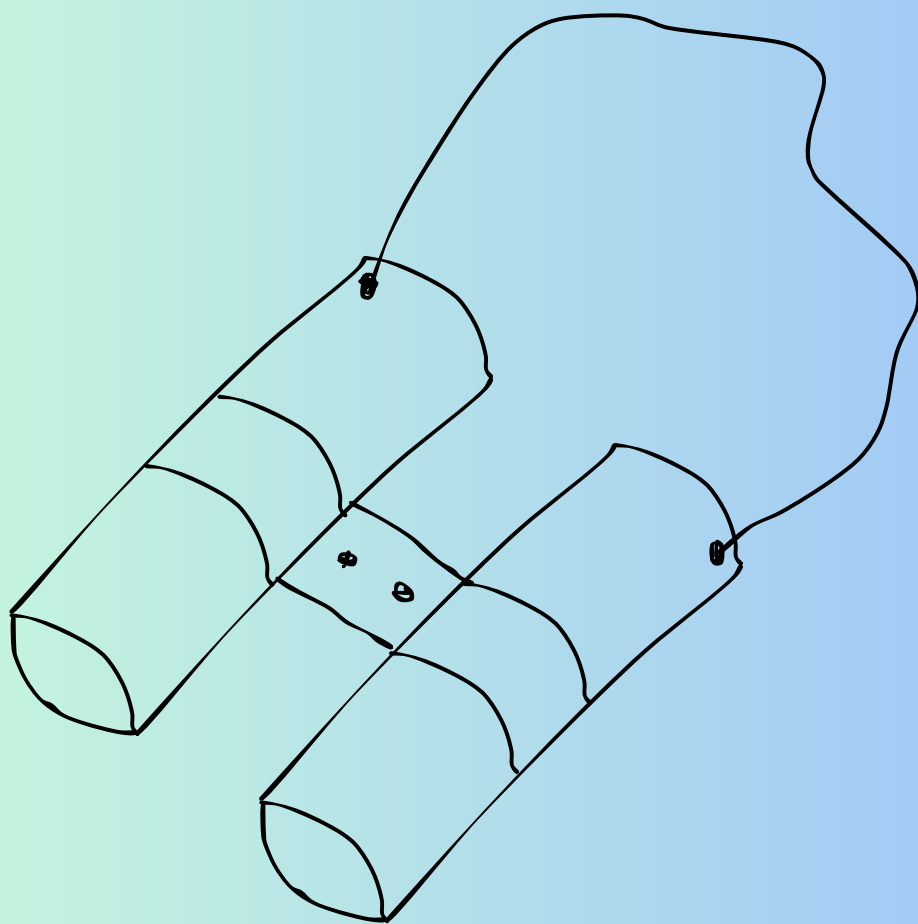
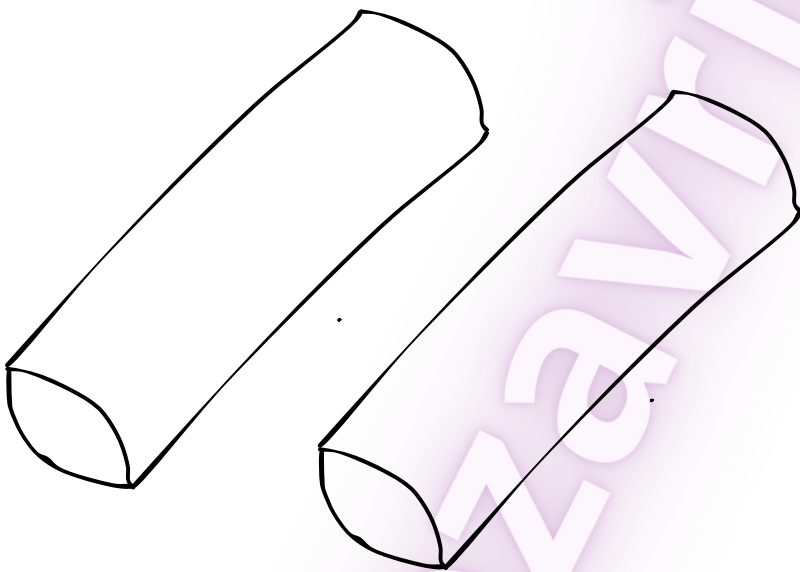


LET'S SCREW BINOCULARS



I. You'll need 2 cardboard tubes or 1 long paper towel tube that you can cut in half. If you don't have any tubes, you can take 2 rectangular pieces of cardboard, roll them into tubes, and secure them with small screws. Make them as long as you like.

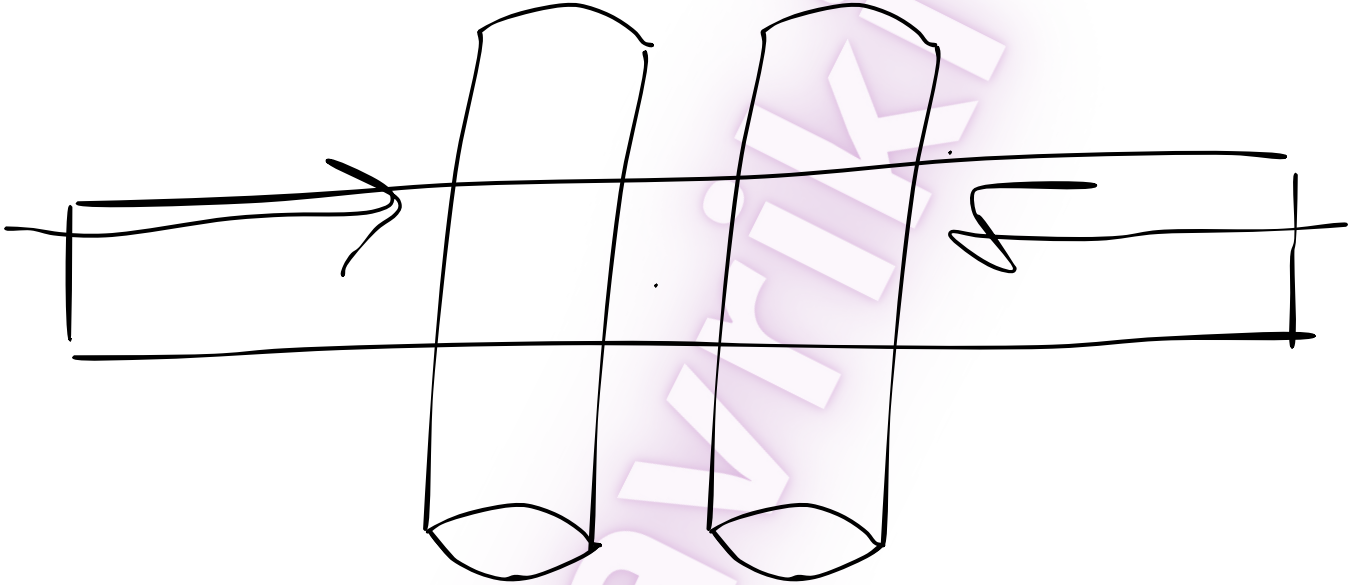


or

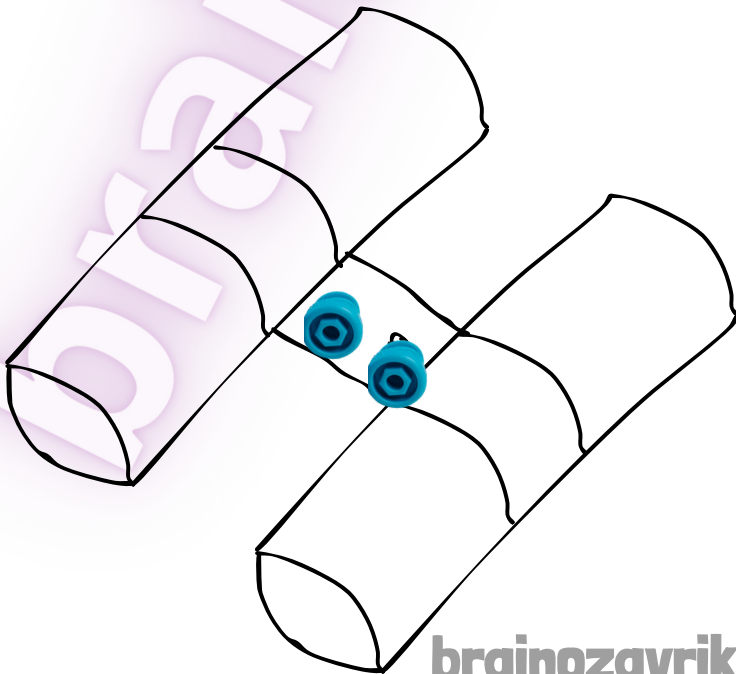


$\times 2$

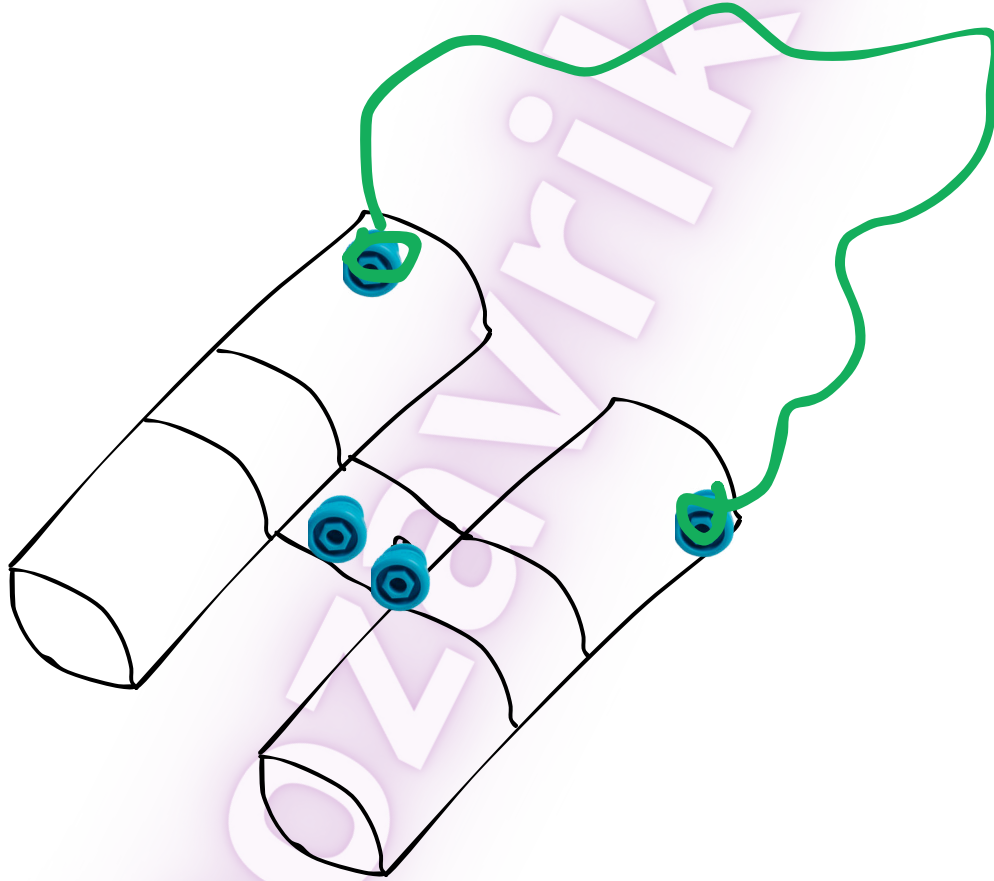
2. You'll also need a long strip of cardboard to connect the two tubes.



3. Wrap the strip around the tubes so it fits tightly and holds them together, then secure it with screws in the middle.



4. Make 2 holes at the base of the tubes and attach small screws so you can tie a ribbon to them later. Now your binoculars are ready.



5. Decorate them however you like. Have fun playing!